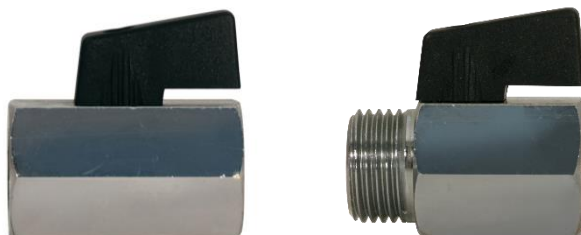


## Brass bar mini ball valve

Art. 4440 - 4441 - 4442



100% MADE IN ITALY 

**Function** Mini ball valves for water Pintossi+C are bi-directional, with the possibility to handle the flow in both directions. The opening and close angle is 90°.

The valves can be used in plumbing, heating or air conditioning systems. The compact dimensions make them suitable to be used in small spaces.

Ball valves must be used in totally open or close position, to avoid seats damages. It's important to plan regular checks to make sure that the valves are in good conditions.

Valves are supplied from the factory in open position.

Chromed plated finishing (FF and MF valve) and nickel plated finishing (MM valve).

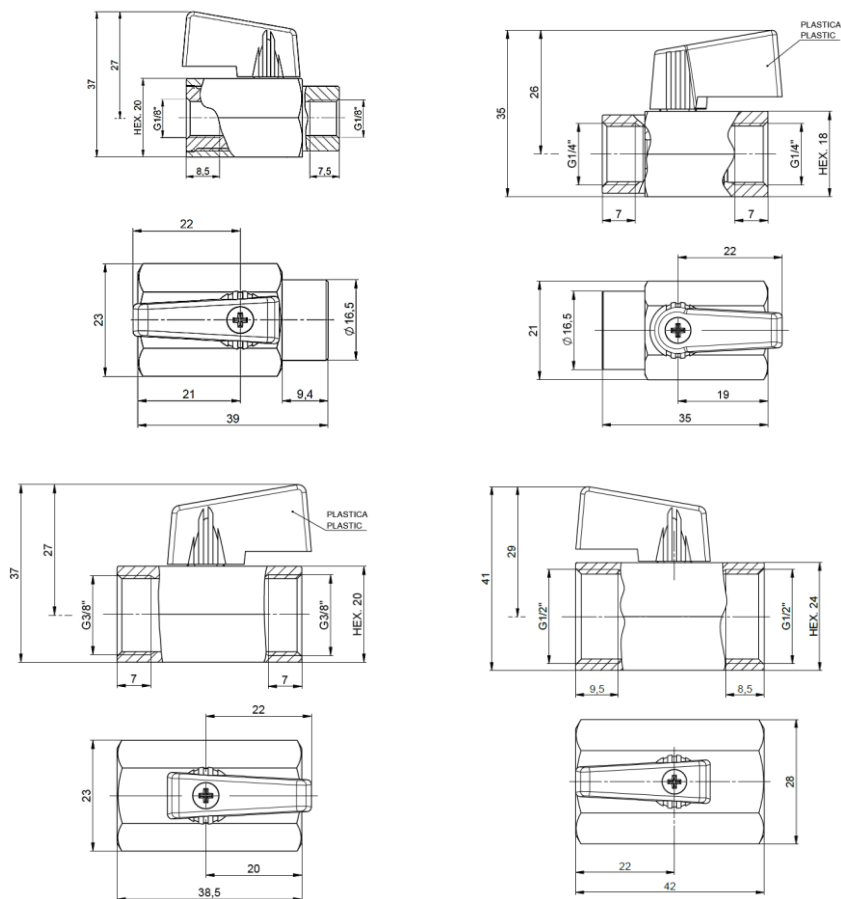
Available with black small lever.

Product range	Art. 4440	Art. 4441	Art. 4442
	FF brass bar mini ball valve	MF brass bar mini ball valve	MM brass bar mini ball valve
	1/4" - 3/8" - 1/2"	1/8" - 1/4" - 3/8" - 1/2"	1/4" - 3/8" - 1/2"

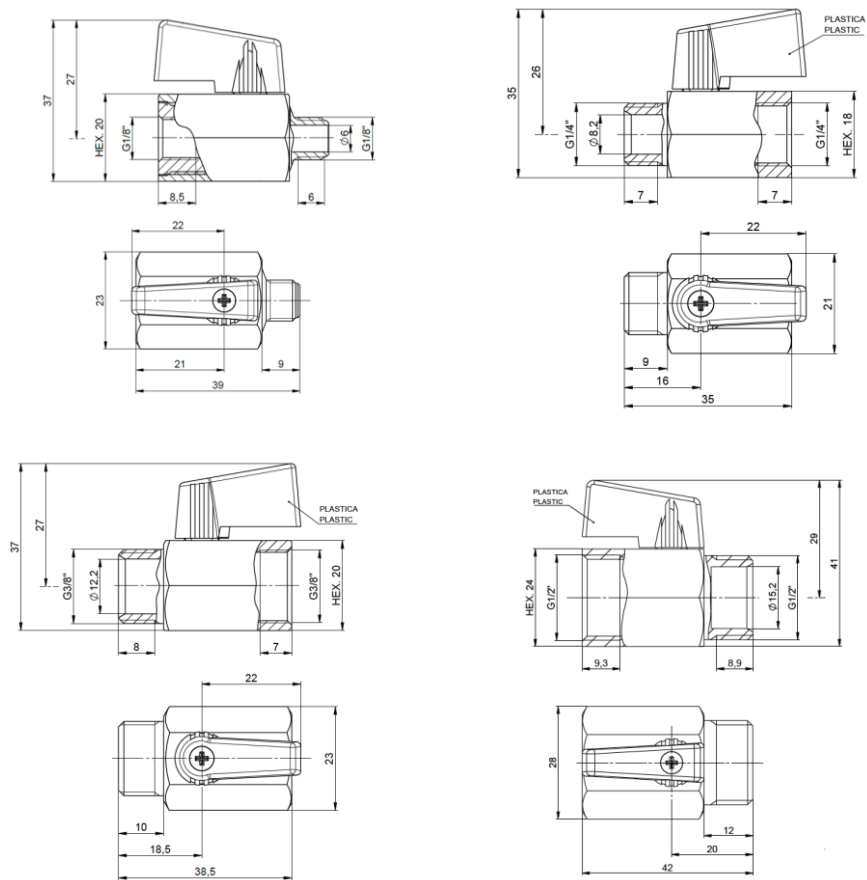
Technical specifications	Fluids:	Water
	Max. working temp.:	70°C
	Peak temp.	90°C
	Max. working pressure:	10 bar

Materials	Body:	Brass bar CW617N
	Seats:	NBR (FF - MF valve) / PTFE (MM valve)
	Gaskets	NBR
	Lever:	Plastic

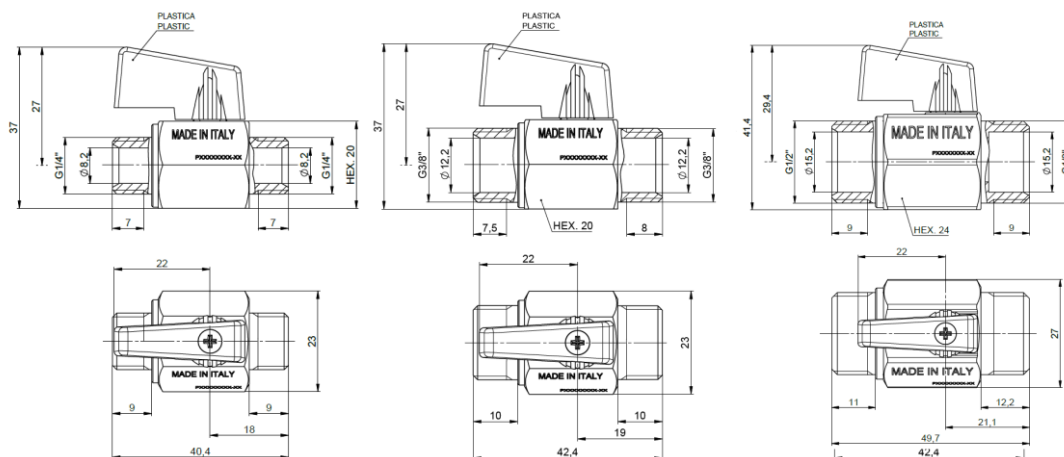
ART. 4440



ART. 4441



## ART. 4442



### Caratteristiche del fluido

Reference standard for water treatments in heating systems is Norm UNI 8065:2019 which regulates the parameters that must be observed to avoid scale and corrosion phenomena.

In order to grant product warranty, the fluid characteristics must comply with the rules in force in the country of relevance or at least present features not less to the ones prescribed by the Norm UNI 8065:2019.

In particular, minimum standards necessary but not sufficient to control are the following:

Fluid aspect: Limpid

PH: Between 7 and 8

Iron (FE): < 0,5 mg/kg (< 0,1 mg/kg for steam)

Copper (CU): < 0,1 mg/kg (< 0,05 mg/kg for steam)

Antifreeze: Passivated Propylene Glycol

Conditioning: as indicated by the producer

In any case when using antifreeze and conditioning solutions, is required to control and verify the correct compatibility between these substances and the construction materials stated in Pintossi+C technical datasheet.