

Manual radiator valves

Art. 238 – 239 – 240 – 241



100% MADE IN ITALY 

Function Pintossi+C manual radiator valves are shut-off devices used on radiators for controlling and regulating the fluid flow exclusively by manual action. They are available in angle or straight version for the connection with iron pipe, copper pipe, PEX or multilayer pipes. The sealing between the valve and the radiator is guaranteed by **PTM system** (Pintossi soft sealing), which allow a quick and safe installation, without the use of additional sealing materials, like hemp or PTFE ribbon. They are featured by a quiet functioning, these valves can be installed in every two pipes heating systems, with vertical or horizontal distribution.

Product range	Art. 238	3/8" – 1/2" – 3/4"	Angle valve with iron pipe
	Art. 239	3/8" – 1/2" – 3/4"	Straight valve for iron pipe
	Art. 240	3/8" – 1/2"	Angle valve for copper, plastic and multilayer pipe
	Art. 241	3/8" – 1/2"	Straight valve for copper, plastic and multilayer pipe
	Art.242	1/2"	Angle valve for copper, plastic and multilayer pipe with pre-setting

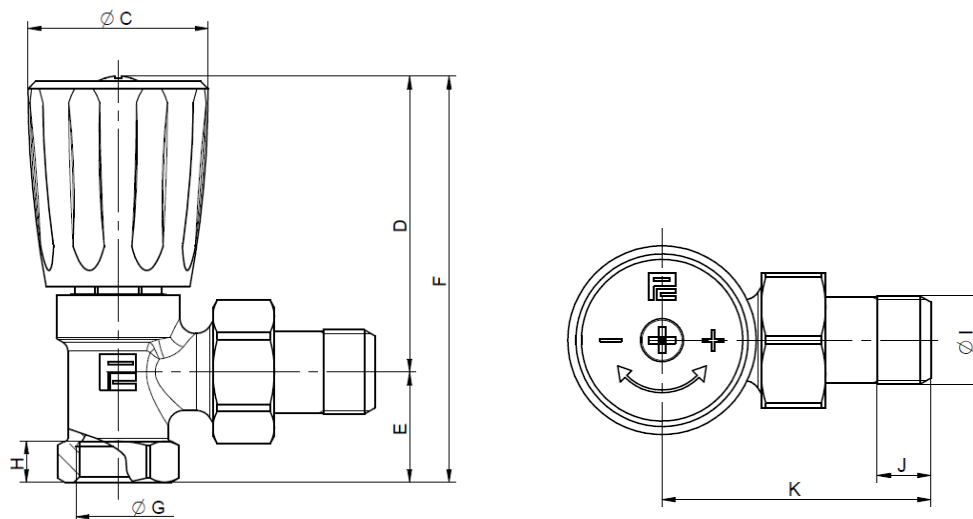
Technical specifications	Fluids:	Water or glycol solutions
	Max. glycole:	30%
	Max. working temp.:	100°C
	Max. working pressure:	10 bar

Materials	Body:	Brass CW617N
	Stem:	Brass CW617N
	Screw:	Brass CW617N
	Tail and nut:	Brass CW617N
	Gaskets:	NBR
	handwheel:	ABS

Dimensions

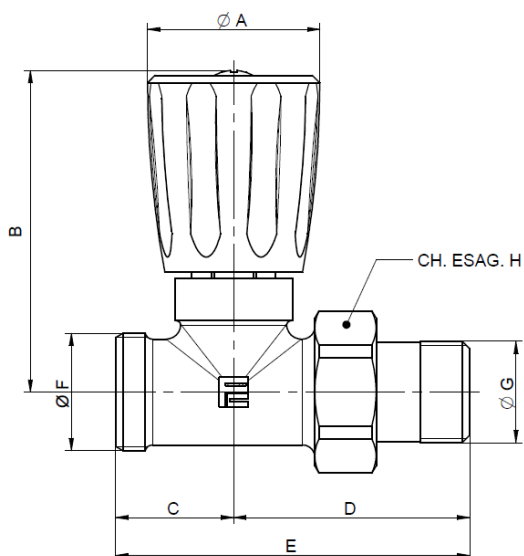
ANGLE MANUAL RADIATOR VALVES

ART.	C	D	E	F	G	H	I	J	K
238	35	52-58	22	74-79	3/8"	8	3/8"	10	50
	35	52-58	24	74-79	1/2"	10	1/2"	10	52,5
	38	57	27	84	3/4"	11	3/4"	15	63,5
240	35	52-58	22	74-79	24x19	8	3/8"	10	50
242	35	52-58	24	74-79	24x19	10	1/2"	10	52,5



STRAIGHT MANUAL RADIATOR VALVES

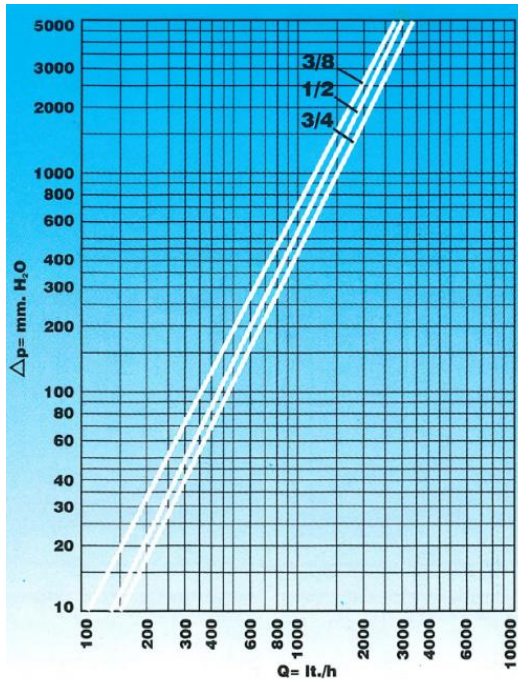
ART.	A	B	C	D	E	F	G	H
239	35	61-66	23	48	71	3/8"	3/8"	25
	35	61-66	25	49	74	1/2"	1/2"	30
	38	68	28	61	83	3/4"	3/4"	37
241	35	61-66	24	48	72	24x19	3/8"	25
	35	61-66	24	48	72	24x19	1/2"	30



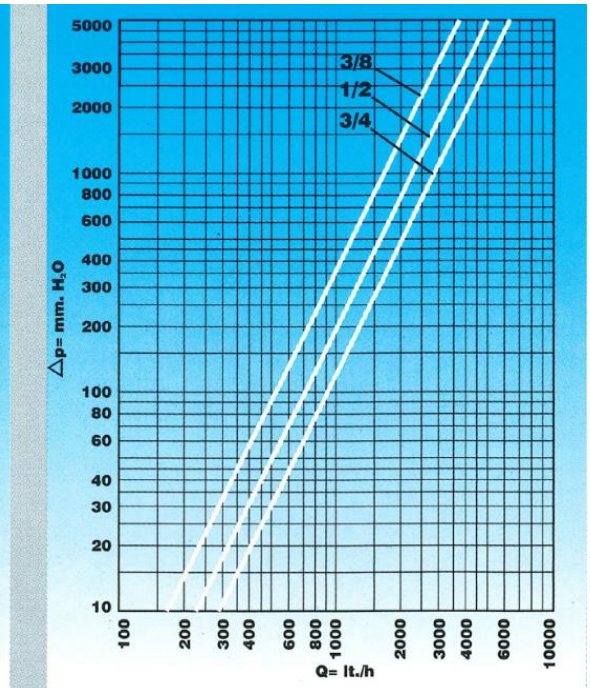
Head loss diagrams

On the below diagrams are shown the head loss diagrams

ANGLE VALVE ART. 238-240-242



STRAIGHT VALVE ART.239-241



Fluid characteristics

Reference standard for water treatments in heating systems is Norm UNI 8065:2019 which regulates the parameters that must be observed to avoid scale and corrosion phenomena.

In order to grant product warranty, the fluid characteristics must comply with the rules in force in the country of relevance or at least present features not less to the ones prescribed by the Norm UNI 8065:2019.

In particular, minimum standards necessary but not sufficient to control are the following:

Fluid aspect: Limpid

PH: Between 7 and 8

Iron (FE): < 0,5 mg/kg (< 0,1 mg/kg for steam)

Copper (CU): < 0,1 mg/kg (< 0,05 mg/kg for steam)

Antifreeze: Passivated Propylene Glycol

Conditioning: as indicated by the producer

In any case when using antifreeze and conditioning solutions, is required to control and verify the correct compatibility between these substances and the construction materials stated in Pintossi+C technical datasheet.