

Wi-Fi Chronothermostat

Art. 9051



100% MADE IN ITALY 

Function

The Wi-Fi touch-screen chronothermostat allows the weekly programming of the temperature in the room in which it is installed. These chronothermostats can be used for both heating (winter mode) and cooling (summer mode). On/off temperature regulation type (with adjustable differential) or proportional. The keypad can be locked with password to prevent changes by unauthorized persons. The **free app**, available on the Apple Store and Google Play, allows the programming and the complete control from a **smartphone** or **tablet**.



The device is also suitable with **Google Home** or **Amazon Alexa**.

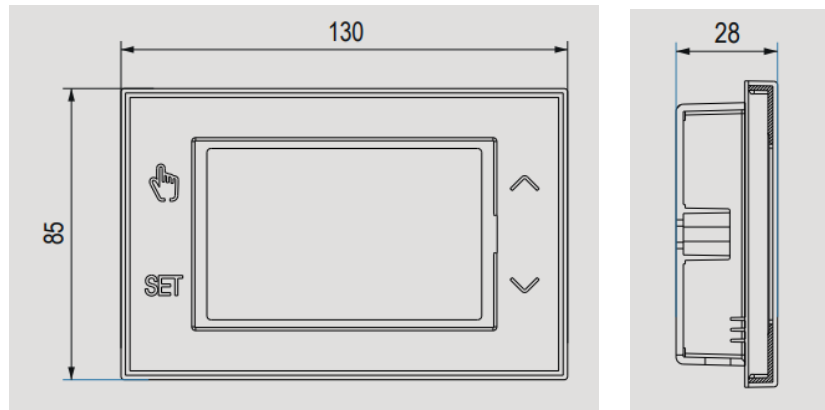
Compliance with Community Directives: 2014/35/UE (LVD) - 2014/30/UE (EMCD) is declared with reference to the following Standards: CEI EN 60730-2-7 - CEI EN 60730-2-9.

Classification according to point 6 of the Communication 2014 / C 207/02 of the European Commission: class IV.

Technical specifications

Settable temperature:	3 levels: T1 - T2 - T3
Power Supply:	V AC 230V
Operating temperature:	0 ÷ 50 °C
Programming:	Weekly (hourly)
Temperature regulation range:	2 - 50°C
Operating mode:	Winter - Summer
Relay capacity 250 V AC:	5A
Display:	LCD
Mounting:	Wall/Box

Dimensions



Electrical scheme

