

Ball valves with swivel nut

Art. 4431 - 5018 - 5553 - 2200



100% MADE IN ITALY 

Function Pintossi + C water ball valves with swivel nut are the perfect solution for boiler water and gas inlets and outlets installation and for water meters connections.
The compact specific design of the valves makes them suitable to be installed even in reduced spaces.
The **monoblock body** has been designed in order to have the lowest number of sealings, making them very strong and reliable even on high pressure systems and worst conditions.
Nickel plated.

Product range	Art.	Dimensions	Configuration	Lever Color
	Art.4431	24x19 x 24x19	FF Straight valve nickel plated	Black lever
	Art.5018	1/2" x 1/2"	FF Straight valve nickel plated	Blue lever
		1/2" x 1/2"	FF Straight valve nickel plated	Red lever
		3/4" x 3/4"	FF Straight valve nickel plated	Blue lever
		3/4" x 3/4"	FF Straight valve nickel plated	Red lever
		1" x 1"	FF Straight valve nickel plated	Black lever
	Art.5553	1/2" x 1/2"	MF Straight valve nickel plated	Blue lever
		1/2" x 1/2"	MF Straight valve nickel plated	Red lever
		3/4" x 3/4"	MF Straight valve nickel plated	Blue lever
		3/4" x 3/4"	MF Straight valve nickel plated	Red lever
		3/4" x 3/4"	MF Straight valve nickel plated	Black lever
	Art.2200	1" x 1"	MF Straight valve yellow	Black lever
		1/2" x 1/2"	MF Angle valve nickel plated	Blue lever
		1/2" x 1/2"	MF Angle valve nickel plated	Red lever
		3/4" x 3/4"	MF Angle valve nickel plated	Blue lever
		3/4" x 3/4"	MF Angle valve nickel plated	Red lever
		1" x 1"	MF Angle valve yellow	Black lever

Technical specifications

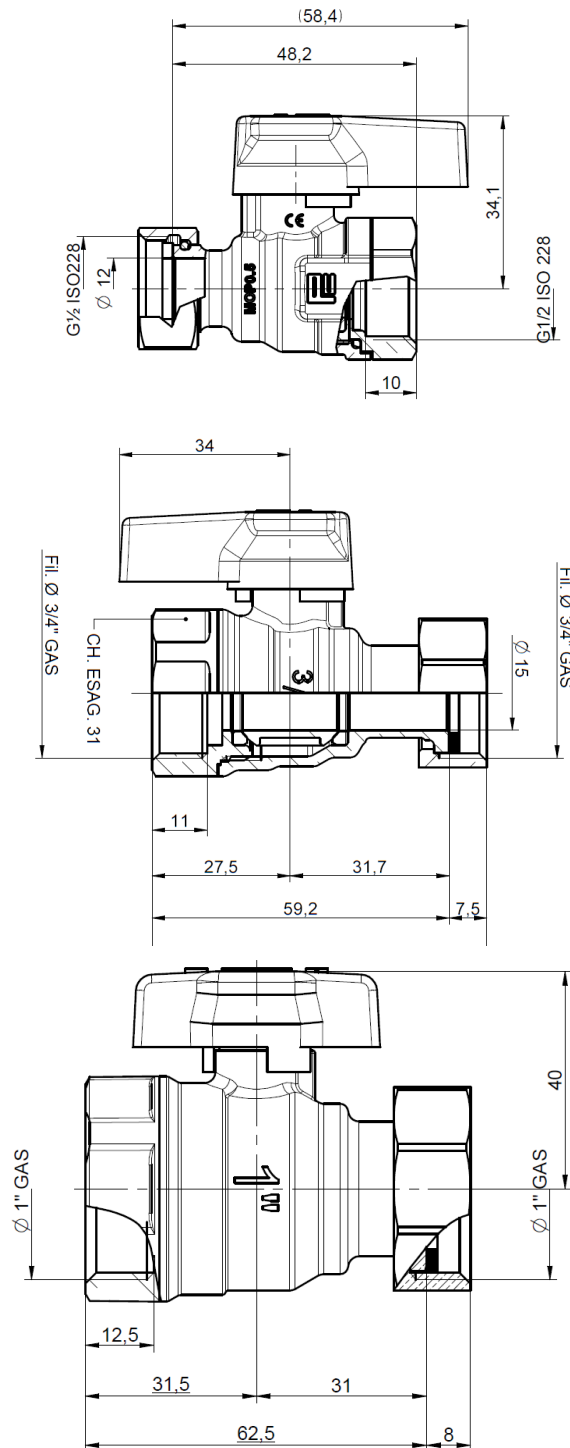
Fluids:	Water or glycol solutions
Max. glycole:	30%
Max. working temp.:	100°C
Max. working pressure:	PN 30

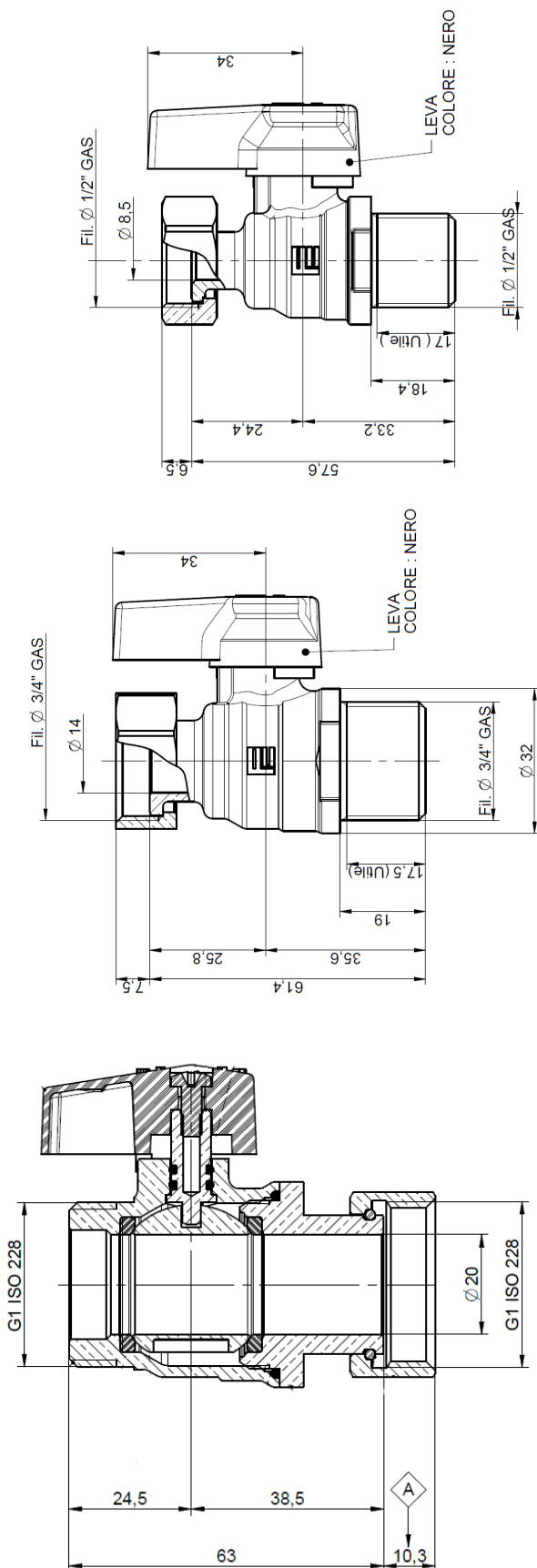
Materials

Body:	Brass CW617N
Ball:	Brass CW617N chromed plated
Nut:	Brass CW614N
Stem:	Brass CW614N
Seat:	PTFE
Gaskets:	EPDM
Handle:	Aluminum

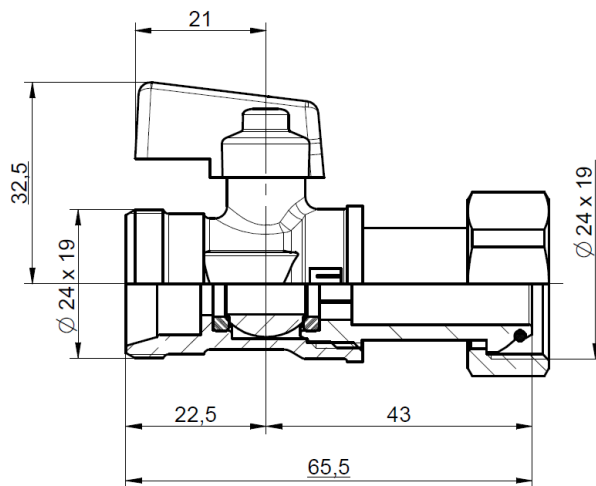
Dimensions

ART. 5018

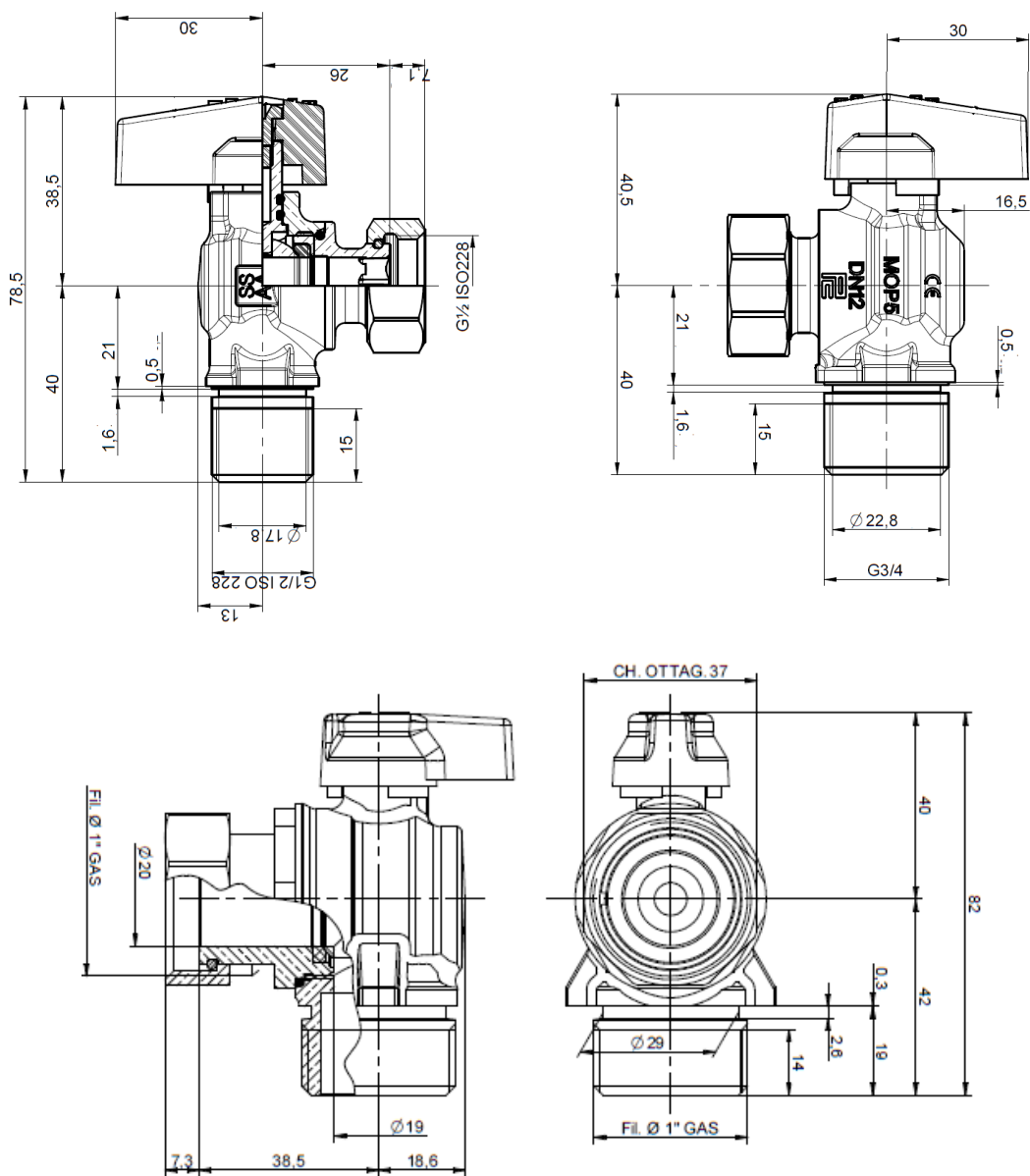




ART. 4431



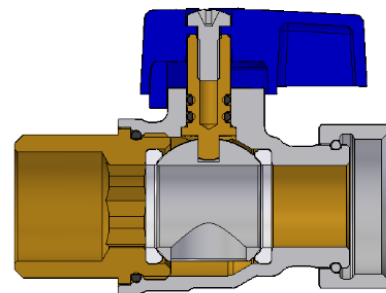
ART. 2200



Monoblock body

Ball valves with swivel nut series 2200-5018-5553 are built using a **single piece body**, avoiding in this way to have multiple components connections in the most stressed part during installation and handling.

This particular geometry allows to avoid possible leakages, granting a correct functioning even with **very high pressures**



Installation

The valve must be installed in the part of the connection with the swivel nut using an appropriate gasket with a thickness of at least 2 mm and must be installed linearly to the pipe in such a way that it cannot be accidentally disconnected.

Fluid characteristics

Reference standard for water treatments in heating systems is Norm UNI 8065:2019 which regulates the parameters that must be observed to avoid scale and corrosion phenomena.

In order to grant product warranty, the fluid characteristics must comply with the rules in force in the country of relevance or at least present features not less to the ones prescribed by the Norm UNI 8065:2019.

In particular, minimum standards necessary but not sufficient to control are the following:

Fluid aspect: Limpid

PH: Between 7 and 8

Iron (FE): < 0,5 mg/kg (< 0,1 mg/kg for steam)

Copper (CU): < 0,1 mg/kg (< 0,05 mg/kg for steam)

Antifreeze: Passivated Propylene Glycol

Conditioning: as indicated by the producer

In any case when using antifreeze and conditioning solutions, is required to control and verify the correct compatibility between these substances and the construction materials stated in Pintossi+C technical datasheet.