

Automatic air vent valves

Art. Art. 507 – 508 – 509 – 511 – 515 – 519



100% MADE IN ITALY 

Function The presence of air inside heating systems can result in negative phenomena that might negatively affect the correct functioning and performance of the system itself.

In particular it may lead to:

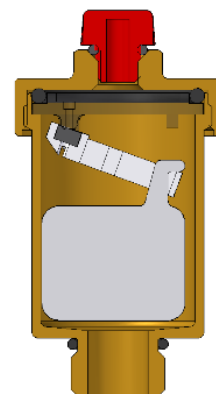
- Corrosion made by oxygen
- Noise
- Blockage to the regular flow of the fluids
- Cavitation in circulation pumps

Pintossi+C automatic air vents have the function of **automatically eliminating the air** that can build up inside a heating system.

The sealing is guaranteed by **PTM system** (Pintossi soft sealing), which allow a quick and safe installation, without the use of additional sealing materials, like hemp or PTFE ribbon.

The valves are available with vertical and horizontal discharge and with vertical or lateral connection.

Yellow or nickel plated finishing for standard versions.



Product range	Art. 507	3/8" – 1/2"	Air vent with vertical air discharge
	Art. 508	3/8" – 1/2"	Air vent with vertical air discharge and shut-off cock
	Art. 509	3/8"	Air vent with vertical air discharge and air separator
	Art. 511	1/2"	Air vent with vertical air discharge and compression connection
	Art. 515	3/8" – 1/2"	Air vent with horizontal air discharge
	Art. 519	1/2"	Air vent with horizontal connection

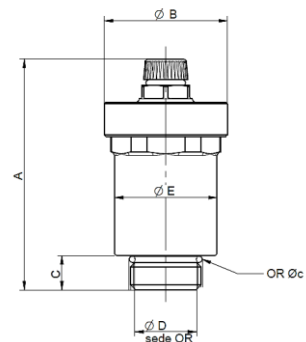
Technical specifications	Fluids:	Water or glycol solutions
	Max. glycole:	50%
	Max. working temp.:	110°C
	Max. working pressure:	10 bar

Materials

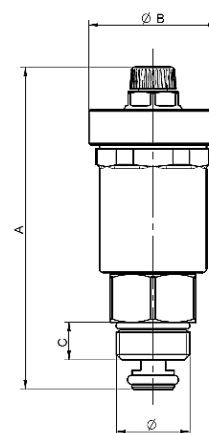
Body:	Brass CW617N
Float, disk, lever, cap:	Polymers
Gaskets:	NBR/EPDM
Spring:	Stainless steel

Dimensions

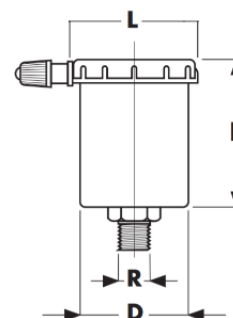
ART.	Ø	A	B	C
507	3/8"	67	36	10
	1/2"	67	36	10
	3/4"	67	36	10



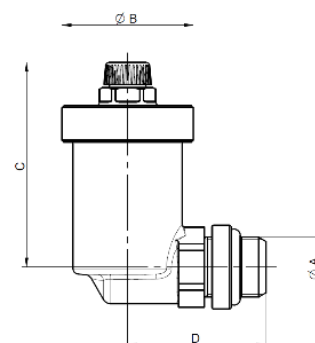
ART.	Ø	A	B	C
508	3/8"	92	36	9,5
	1/2"	90,5	36	10,5
509	3/8"	92	36	9,5
511	1/2"	90,5	36	10,5



ART.	R	D	h	L
515	3/8"	35	49	44
	1/2"	35	49	44



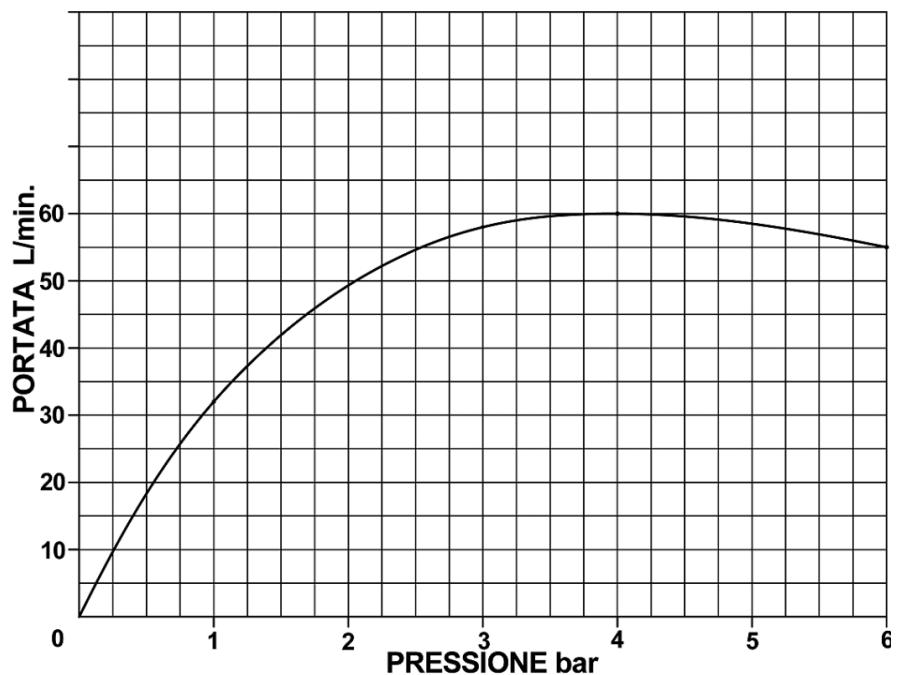
ART.	Ø A	B	C	D
519	1/2"	36	56,5	38,5



Installation

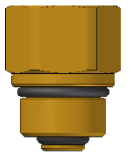
The valve has to be positioned on the highest point of the plant and exclusively in vertical position.
The valve operates automatically when the cap is unscrewed by 2 or 3 turns.

Airflow diagram



Shut-off cock

In order to facilitate inspection operations Pintossi+C shut-off cock art.503 (with oring) and 503T (with PTFE) is available as spare part or together with the valve. This cock automatically blocks the water flow when the valve is disassembled.



Fluid characteristics

Reference standard for water treatments in heating systems is Norm UNI 8065:2019 which regulates the parameters that must be observed to avoid scale and corrosion phenomena.

In order to grant product warranty, the fluid characteristics must comply with the rules in force in the country of relevance or at least present features not less to the ones prescribed by the Norm UNI 8065:2019.

In particular, minimum standards necessary but not sufficient to control are the following:

Fluid aspect: Limpid

PH: Between 7 and 8

Iron (FE): < 0,5 mg/kg (< 0,1 mg/kg for steam)

Copper (CU): < 0,1 mg/kg (< 0,05 mg/kg for steam)

Antifreeze: Passivated Propylene Glycol

Conditioning: as indicated by the producer

In any case when using antifreeze and conditioning solutions, is required to control and verify the correct compatibility between these substances and the construction materials stated in Pintossi+C technical datasheet.