

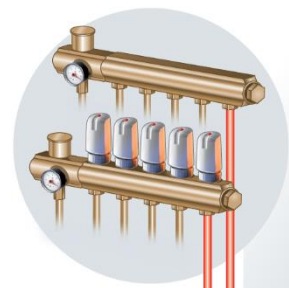
Thermo electric actuator

Art. 127



100% MADE IN ITALY 

Function To control room temperature, in combination with all the thermostatic valves and manifolds for underfloor heating systems, it is possible to use Pintossi + C electrothermic actuator art.127 combined with room thermostats or other systems.
The opening/closing function is managed by a sensitive wax sensor, which through its compression or expansion, caused by the heat produced from the working voltage, makes the force to open and close the valve.
The actuator is normally closed, in other words, in lack of electricity, the valve is automatically closed.



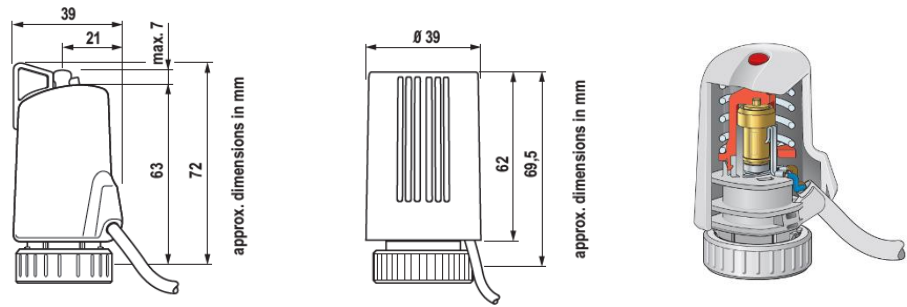
Technical characteristics

Room temperature:	0 - 60°C
Operating power:	2W
Force:	90 N + 20/-10%
Opening time:	3 min ca
Functioning:	On/Off
Cable length:	0,6 m
Motion:	Rotation
Stroke:	3,5 mm
Protection:	IP40 - IP44

Materials

Body:	Polyamide and Polycarbonate
Sensitive element:	Wax

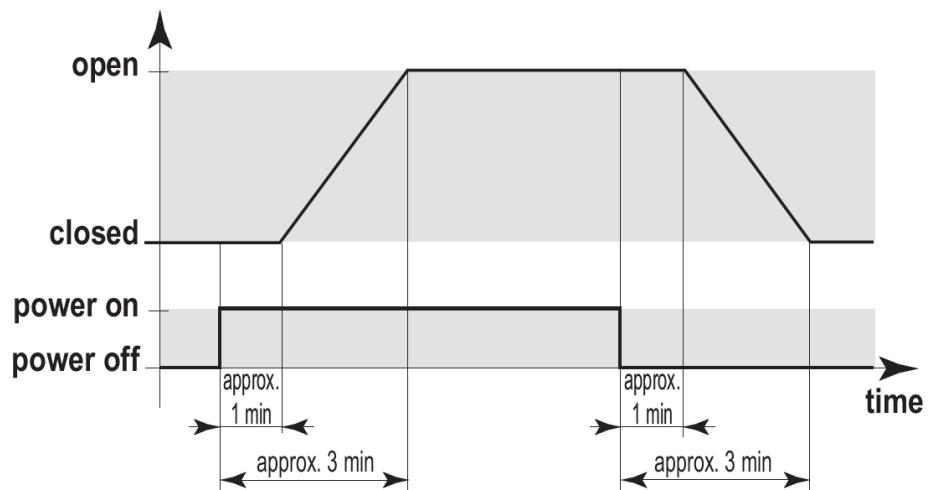
Dimensions



Functioning

The actuator mechanism of the actuator uses a PTC resistor-heated wax element and a compression spring. The wax element is heated by applying the operating voltage and moves the integrated ram. The force generated by the movement is transferred on the valve lifter and thus opens and closes the valve.

The valve is opened steadily by the ram motion upon switching on the operating voltage and after expiry of the dead time (approx. 1 min). After the operating voltage is cut and after expiry of the hold time (approx. 1 min), the valve is closed evenly by the closing force of the compression spring. The closing force of the compression spring is matched to the closing force of commercially available valves and keeps the valve normally closed.



First open function

The integrated First-Open function allows an easy assembly of the actuator. The red lock maintains the actuator in an open position, allowing mounting to the valve with minimal effort. Upon commissioning, the lock must be removed leaving the actuator ready for operation.



Installation

The actuator installation can be done by easily screw it on thermostatic screw valves with thread 30x1,5. The installation doesn't require any specific tool and it's recommended to use just the hands force.

The preferred installation position of the actuator is vertical or horizontal. An upside-down position may reduce product life through special circumstances (e.g., contaminated water).